

FIRST TIME INSTALLATION

WIRED

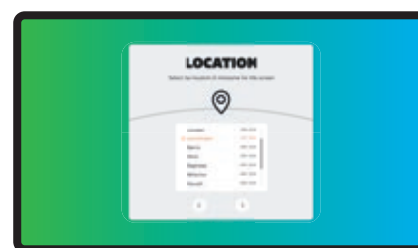
Plug the LAN-cable into the LAN-port on the bottom or side of the CTOUCH display, to connect to the internet.

FIRST TIME INSTALLATION

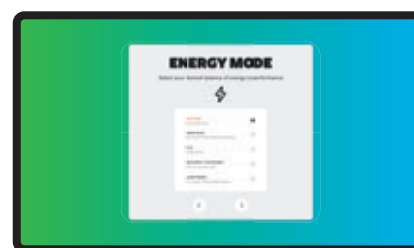
When turning on the CTOUCH display for the first time, the below shown installation menu pages will appear on the screen.



Select the desired menu language. Press > to go to the next page.



Select your location and press > to go to the next page.



Select your required Energy Mode and press >.



Select the model you have (depending on the BRIX module that is delivered with the display).



Follow the steps on the screen to connect your display to the internet.



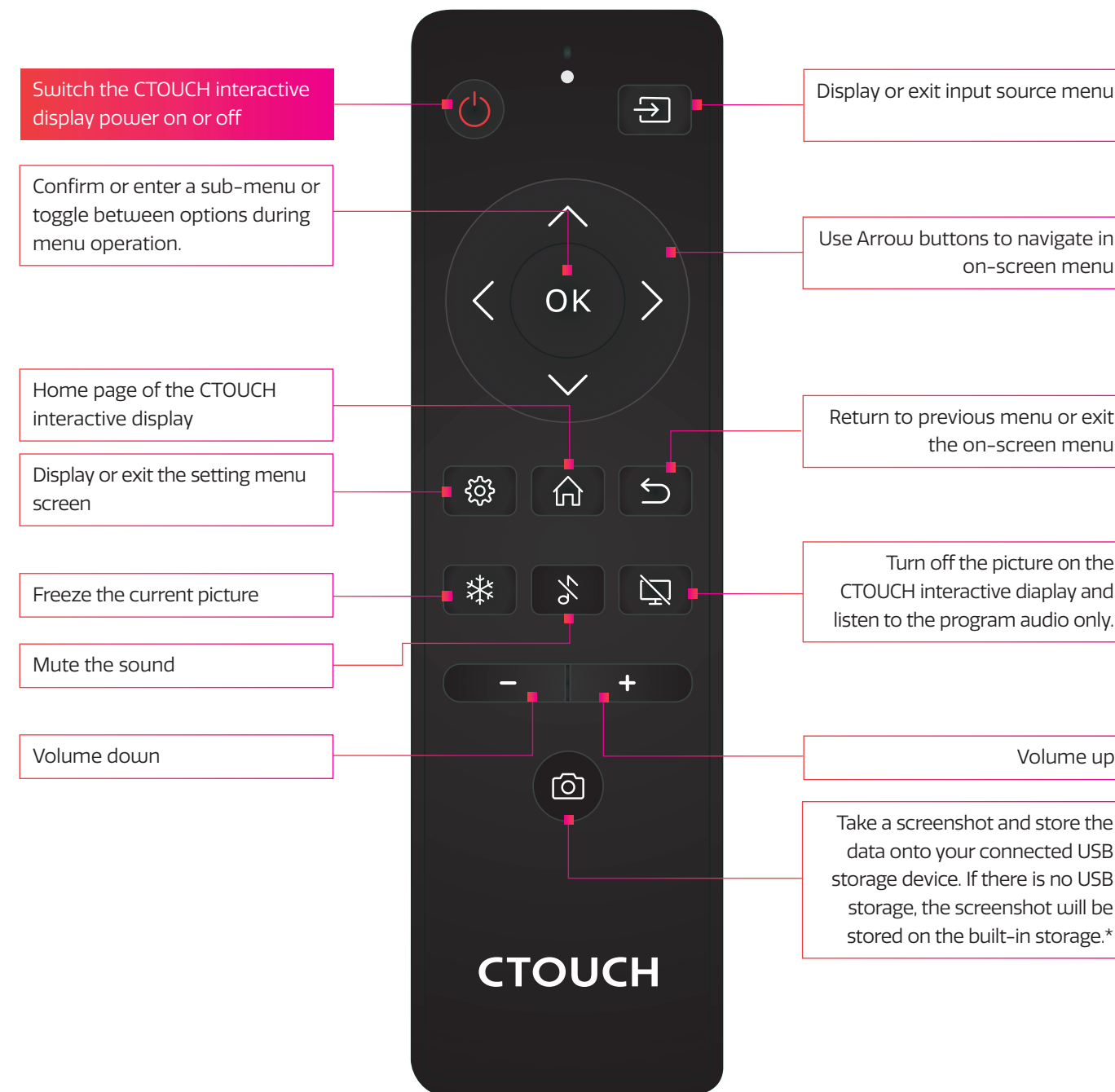
The display will check if there is an update available. After this step the installation is **finished**.

OTHER QUESTIONS

Press the CTOUCH home button and then press on the '!'-icon to open the onboard manual.

Or visit support.ctouch.eu.

REMOTE CONTROL

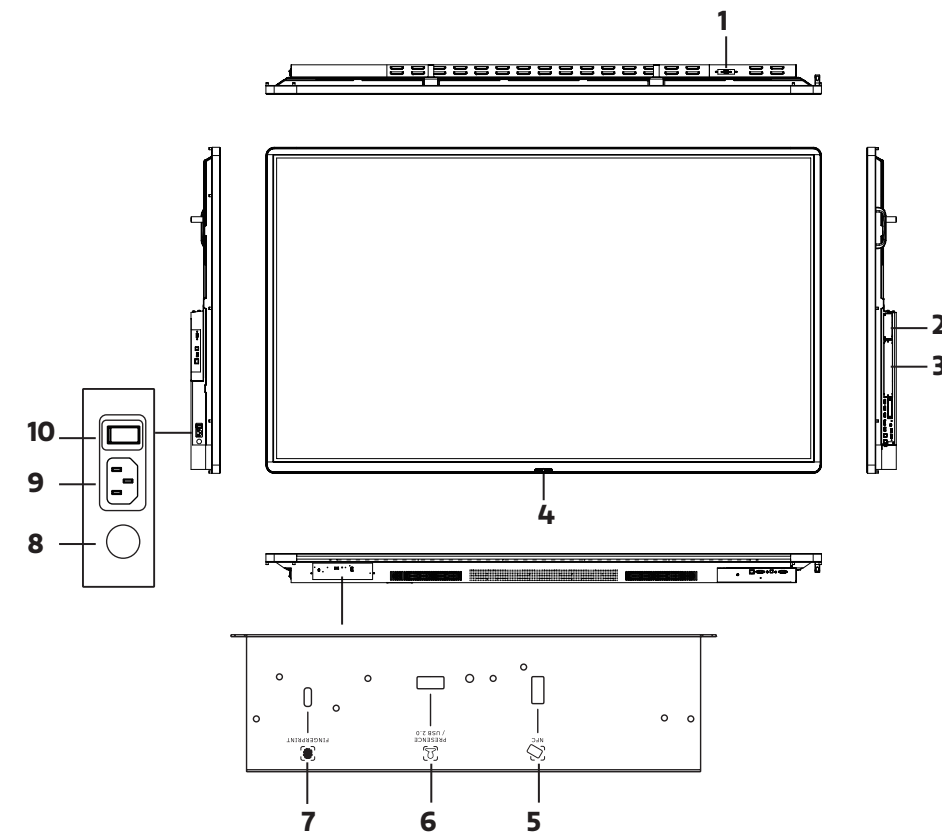


* The function differs depending on the model you have.

1355V191119_EN

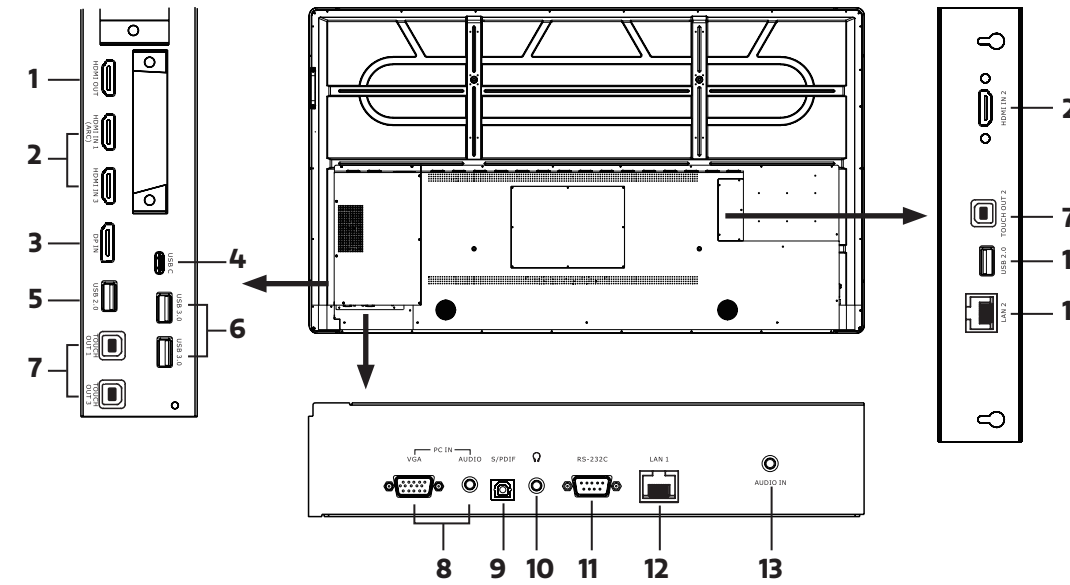
HEY YOU, START ME UP!

CONTROL PANEL



NR.	DESCRIPTION	DESCRIPTION
1	USB (3.0) (for camera)	This port is designed for connecting a webcam.
2	CTOUCH module slot	Insert an CTOUCH module (optional).
3	OPS module slot	Insert an OPS module (optional).
4	Power LED	Red: In standby mode. Blue: In power on mode.
	Remote control sensor	Aim the remote control towards this spot on the CTOUCH interactive display.
	Power	Press the button for about 2 seconds to turn the CTOUCH interactive display on or off.
	Navigation Bar control	Press the button once to call up the Navigation Bar.
5	NFC reader port	Insert the CTOUCH NFC reader (optional). Note: this port is dedicated to the NFC reader, normal USB device will not work.
6	USB 2.0/Human Presence Detection port	Insert the CTOUCH Human Presence Detection module (optional). Note: this port will also work with USB devices.
7	Fingersprint scanner port	Insert the CTOUCH fingerprint scanner (optional). Note: this port is dedicated to the fingerprint scanner, normal USB device will not work.
8	Fuse	12A 250V
9	AC IN	Plug the AC cord into this jack and into a power outlet.
10	Power Switch	Push (I) to turn on the power, push (O) to cut off the power. Note: for safety reasons do not cover the power switch.

CONNECTION PANEL



NR.	DESCRIPTION	DESCRIPTION
1	HDMI out	Connect an external device with a HDMI cable to this port to output the image and sound of the CTOUCH interactive display.
2	HDMI 1/2/3 in	Connect an external device with a HDMI cable to this port. Note: connect an external HDMI device which supports ARC to HDMI 1.
3	Display Port (DP) in	Connect an external device with a DP cable to this port.
4	USB-C	Connect an external device with an USB-C cable to this port. Note: the display supports USB 3.1 Gen 2.
5	USB 2.0	Connect a USB device to this port for Android. Note: use this USB-port for manual firmware updates.
6	USB 3.0	Connect a USB device to this port for OPS or Android.
7	Touch out 1/2/3	Connect an external device to support touch control of the external device on the display. Note: Windows is Plug & Play, for Apple a driver is needed. Note: Touch out 1 connects to HDMI 1, Touch out 2 connects to HDMI 2 & HDMI out 3 connects to HDMI 3, DP & VGA.
8	VGA in	Connect an external device with a VGA cable and Mini Jack to this port.
9	SPDIF out	Connect a digital sound system to this SPDIF jack.
10	Headphones in	Connect a headphone to this jack.
11	RS-232C	Connect a DB-9 cable to this port for remote control, service and other uses.
12	LAN 1/2	Connect the external network or router with an LAN cable to this port.
13	Audio in	Connect an external audio device with a Mini Jack cable to this jack.
14	USB 2.0	Connect a USB device to this port for OPS and Android.
		Note: for all audio devices the selected source is audible.

POWER ON / OFF

TURNING THE CTOUCH INTERACTIVE DISPLAY ON OR OFF

1. Plug one side of the power cord into the AC power outlet and the other side into the wall socket.
2. Switch on the Power Switch to turn the CTOUCH interactive display on.
3. The display is in standby mode now. Wait a moment until the power indicator lights up, then press button on the remote or the CTOUCH button on the display, to turn the CTOUCH interactive display on.
4. Press button on the remote or the CTOUCH button on the display again, to turn the CTOUCH interactive display in standby mode.
5. Switch off the Power Switch to cut off the power completely.
Note: The CTOUCH interactive display needs some time to shut off correctly before it can be switched on again. By interrupting this proces the next start up can take longer.
Note: When there is no active source on the CTOUCH interactive display, it will go into stand-by mode after 3 minutes.

CONNECTIONS

- Make sure both the external device as well as the CTOUCH display are turned off, when connecting the external device to the CTOUCH display.
- Check the plugs at the ends of the cables to make sure that they are the correct type, before plugging them into the jacks of the CTOUCH interactive display.

Note: For an overview of the possible external connections, please refer to the CTOUCH user manual on your display. Or visit support.ctouch.eu